



## DONGFENG DIESEL GENSET



## TMGDF-400

Group		Standby Power	Prime Power
Power	kVA	400	363
Power	kW	320	290
Engine Speed	rpm	1500	
Standard Voltage	V	400	
Power Factor	Cos $\phi$	0,8	

### Continuous Power

The maximum power which a generating set is capable of delivering continuously whilst supplying a constant electrical load. Average load can be 100%. The generator must not be overloaded.

### Standby Power

The maxpower available during a variable electrical power sequence, under the stated operating conditions, for which a generating set is capable of delivering in the event of a utilitypower outage or under test conditions for up to 200 hrs of operation per year under average of 70%load.Overloading isn't permissible.

### Prime Power

The maximum power which a generating set is capable of delivering continuously whilst supplying a variable electrical load. Average load should be 70%. The generator can be overloaded 10% for 1 hour per 12 hrs.

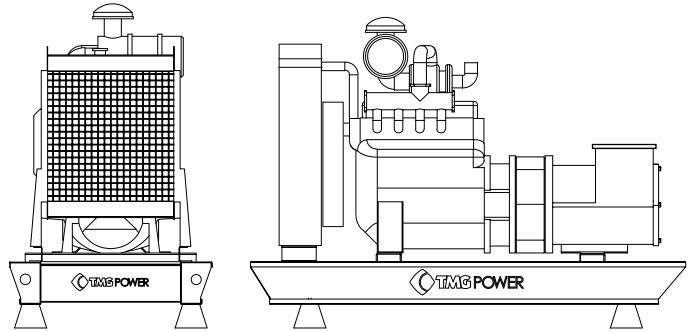
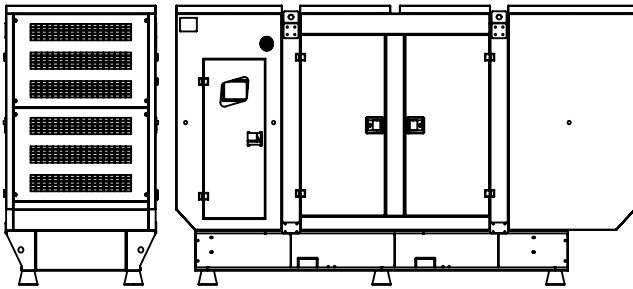
### Engine Properties

<b>Brand</b>		DONGFENG
<b>Model</b>		WLG6L350TAD
<b>Standby</b>	kW	350
<b>Prime</b>	kW	318
<b>Cylinder Displacement</b>	lt	12.9
<b>Number of Cylinders / Type</b>	mmxmm	6 / In line
<b>Bore x Stroke</b>		135x150
<b>Compression Ratio</b>		15.7:1
<b>Governor Type</b>		Electronic
<b>Idle Speed</b>	rpm	1500
<b>Aspiration</b>		Turbocharged Aftercooled
<b>Injection Type</b>		Direct Injection
<b>Cooling system</b>		Liquid Cooled
<b>Fuel Consumption %100</b>	lt/h	71
<b>Fuel Consumption %75</b>	lt/h	53
<b>Fuel Consumption %50</b>	lt/h	36
<b>Oil Capacity</b>	lt	33
<b>Cooling Liquid Capacity</b>	lt	62
<b>Battery Voltage</b>	V	24
<b>Battery Capacity</b>	A	2x105

### Alternator Properties

<b>Output Voltage</b>	v	230/400
<b>Frequency</b>	HZ	50
<b>Automatic Voltage Regulation</b>	±%	0,5
<b>Phase</b>		3
<b>Pole</b>		4
<b>Overload</b>		1 Hour %110
<b>Voltage Regulation</b>		±%1
<b>Power Factor</b>	Cosφ	0,8
<b>Warning System</b>		Self Alert
<b>AVR Model</b>		Sx460
<b>Total Harmonic Losing</b>		≤%3
<b>Connecting Type</b>		Star
<b>Protection Class</b>		IP 23
<b>Isolation Class</b>		H

### Dimensions



#### Canopied

<b>L x W x H</b>	mm	3680x1300x2100
<b>Weight</b>	kg	TBA
<b>Fuel Tank Capacity</b>	lt	470

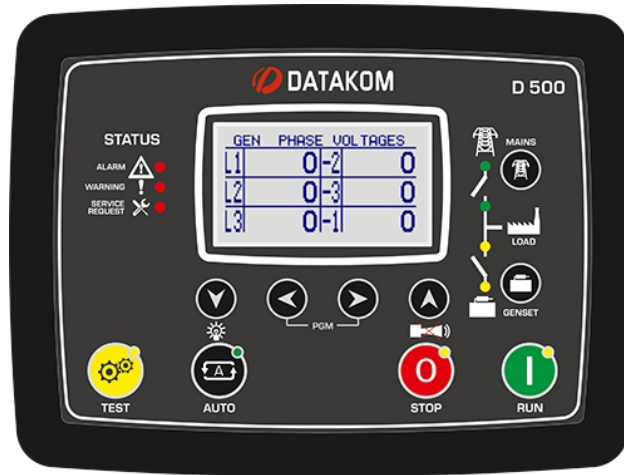
#### Open Set

<b>L x W x H</b>	mm	3000x1300xTBA
<b>Weight</b>	kg	TBA
<b>Fuel Tank Capacity</b>	lt	470

### Standard Specification

Some standard equipments that TMG POWER provides with generator sets;

- 50°C cooland radiator
- Flexible fuelpipes and oil drain valve
- Engine jacket heater
- 4 pole synchronous type self-excited brushless alternator
- Battery and wires
- Entegrated fuel tank
- User and maintenance manual
- Oil and antifreeze
- Datakom D-500 controller
- Battery charger
- Electrical circuit diagram



- Diesel and gas genset support
- 400Hz operation support
- 400 event logs, full snapshot
- All parameters front panel editable
- 3 level configuration password
- 128x64 graphical LCD display
- Downloadable languages
- Waveform display of V & I
- Harmonic analysis of V & I
- 16Amp MCB & GCB outputs
- 8 configurable digital inputs
- 6 configurable digital outputs
- 3 configurable analog inputs
- 3 configurable service alarms
- Both CANBUS-J1939 & MPU
- Multiple automatic exerciser
- Weekly operation schedule

- Dual mutual standby with equal aging of gensets
- Manual “speed fine adjust” on selected ECUs
- Automatic fuel pump control
- Disable protections feature
- Excess power protection
- Reverse power protection
- Overload IDMT protection
- Load shedding, dummy load
- Multiple load management
- Current unbalance protection
- Voltage unbalance protection
- Fuel filling & fuel theft alarm
- Battery back-up real time clock
- Idle speed control
- Battery charge run enabled
- Combat mode support
- Multiple nominal conditions

- Contactor & MCB drive
- 4 quadrant genset powercounters
- Mains power counters
- Fuel filling counters
- Fuel consumption counter
- Modem diagnostics display
- Configurable through USB, RS-485, Ethernet and GPRS
- Free configuration program
- Allows SMS controls
- Ready for central monitoring
- Mobile genset support
- Automatic GSM geo-location
- Easy USB firmware upgrade
- IP 65 rating with optional gasket

## Optional Specification

Some Optional Equipments that TMG POWER provides with generator Sets;

- Auto refueling system
- Extra fuel tank , coil heaters
- Remote radiator
- Synchronization system
- Circuit breaker
- Special soundproof canopies
- Siesmic solutions
- Trailer
- Remote control panel
- Automatic transfer switch