



## DONGFENG DIESEL GENSET



## TMGDF-900

| Group            |            | Standby Power | Prime Power |
|------------------|------------|---------------|-------------|
| Power            | kVA        | 900           | 818         |
| Power            | kW         | 720           | 654         |
| Engine Speed     | rpm        | 1500          |             |
| Standard Voltage | V          | 400           |             |
| Power Factor     | Cos $\phi$ | 0,8           |             |

### Continuous Power

The maximum power which a generating set is capable of delivering continuously whilst supplying a constant electrical load. Average load can be 100%. The generator must not be overloaded.

### Standby Power

The maxpower available during a variable electrical power sequence, under the stated operating conditions, for which a generating set is capable of delivering in the event of a utilitypower outage or under test conditions for up to 200 hrs of operation per year under average of 70%load.Overloading isn't permissible.

### Prime Power

The maximum power which a generating set is capable of delivering continuously whilst supplying a variable electrical load. Average load should be 70%. The generator can be overloaded 10% for 1 hour per 12 hrs.

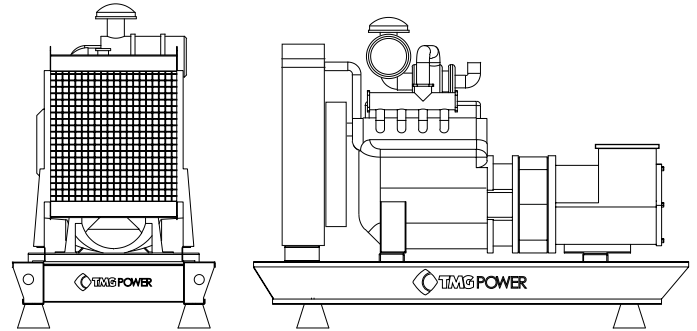
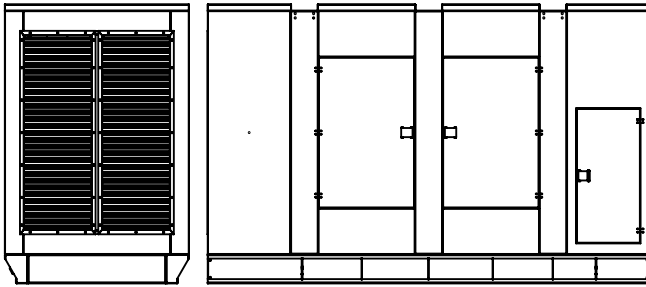
### Engine Properties

|                                   |       |                          |
|-----------------------------------|-------|--------------------------|
| <b>Brand</b>                      |       | DONGFENG                 |
| <b>Model</b>                      |       | WL12V780TAD              |
| <b>Standby</b>                    | kW    | 780                      |
| <b>Prime</b>                      | kW    | 709                      |
| <b>Cylinder Displacement</b>      | lt    | 28.3                     |
| <b>Number of Cylinders / Type</b> | mmxmm | 12 / V Type              |
| <b>Bore x Stroke</b>              |       | 138x158                  |
| <b>Compression Ratio</b>          |       | 15.4:1                   |
| <b>Governor Type</b>              |       | Electronic               |
| <b>Idle Speed</b>                 | rpm   | 1500                     |
| <b>Aspiration</b>                 |       | Turbocharged Aftercooled |
| <b>Injection Type</b>             |       | Direct Injection         |
| <b>Cooling system</b>             |       | Liquid Cooled            |
| <b>Fuel Consumption %100</b>      | lt/h  | 183                      |
| <b>Fuel Consumption %75</b>       | lt/h  | 136                      |
| <b>Fuel Consumption %50</b>       | lt/h  | 93                       |
| <b>Oil Capacity</b>               | lt    | 65                       |
| <b>Cooling Liquid Capacity</b>    | lt    | 107                      |
| <b>Battery Voltage</b>            | V     | 24                       |
| <b>Battery Capacity</b>           | A     | 2x150                    |

### Alternator Properties

|                                     |      |             |
|-------------------------------------|------|-------------|
| <b>Output Voltage</b>               | v    | 230/400     |
| <b>Frequency</b>                    | HZ   | 50          |
| <b>Automatic Voltage Regulation</b> | ±%   | 0,5         |
| <b>Phase</b>                        |      | 3           |
| <b>Pole</b>                         |      | 4           |
| <b>Overload</b>                     |      | 1 Hour %110 |
| <b>Voltage Regulation</b>           |      | ±%1         |
| <b>Power Factor</b>                 | Cosφ | 0,8         |
| <b>Warning System</b>               |      | Self Alert  |
| <b>AVR Model</b>                    |      | Sx460       |
| <b>Total Harmonic Losing</b>        |      | ≤%3         |
| <b>Connecting Type</b>              |      | Star        |
| <b>Protection Class</b>             |      | IP 23       |
| <b>Isolation Class</b>              |      | H           |

### Dimensions



### Canopied

|                           |    |                |
|---------------------------|----|----------------|
| <b>L x W x H</b>          | mm | 4800x2000x2580 |
| <b>Weight</b>             | kg | TBA            |
| <b>Fuel Tank Capacity</b> | lt | 1250           |

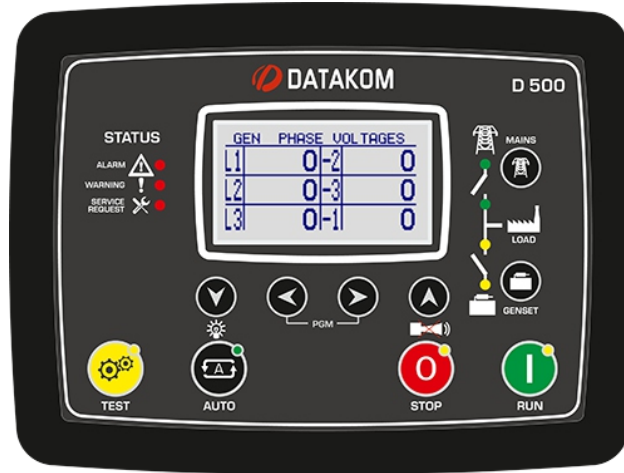
### Open Set

|                           |    |               |
|---------------------------|----|---------------|
| <b>L x W x H</b>          | mm | 4800x2000xTBA |
| <b>Weight</b>             | kg | TBA           |
| <b>Fuel Tank Capacity</b> | lt | 1250          |

### Standard Specification

Some standard equipments that TMG POWER provides with generator sets;

- 50°C cooland radiator
- Flexible fuelpipes and oil drain valve
- Engine jacket heater
- 4 pole synchronous type self-excited brushless alternator
- Battery and wires
- Entegrated fuel tank
- User and maintenance manual
- Oil and antifreeze
- Datakom D-500 controller
- Battery charger
- Electrical circuit diagram



- Diesel and gas genset support
- 400Hz operation support
- 400 event logs, full snapshot
- All parameters front panel editable
- 3 level configuration password
- 128x64 graphical LCD display
- Downloadable languages
- Waveform display of V & I
- Harmonic analysis of V & I
- 16Amp MCB & GCB outputs
- 8 configurable digital inputs
- 6 configurable digital outputs
- 3 configurable analog inputs
- 3 configurable service alarms
- Both CANBUS-J1939 & MPU
- Multiple automatic exerciser
- Weekly operation schedule

- Dual mutual standby with equal aging of gensets
- Manual "speed fine adjust" on selected ECUs
- Automatic fuel pump control
- Disable protections feature
- Excess power protection
- Reverse power protection
- Overload IDMT protection
- Load shedding, dummy load
- Multiple load management
- Current unbalance protection
- Voltage unbalance protection
- Fuel filling & fuel theft alarm
- Battery back-up real time clock
- Idle speed control
- Battery charge run enabled
- Combat mode support
- Multiple nominal conditions

- Contactor & MCB drive
- 4 quadrant genset powercounters
- Mains power counters
- Fuel filling counters
- Fuel consumption counter
- Modem diagnostics display
- Configurable through USB, RS-485, Ethernet and GPRS
- Free configuration program
- Allows SMS controls
- Ready for central monitoring
- Mobile genset support
- Automatic GSM geo-location
- Easy USB firmware upgrade
- IP 65 rating with optional gasket

## Optional Specification

Some Optional Equipments that TMG POWER provides with generator Sets;

- Auto refueling system
- Extra fuel tank , coil heaters
- Remote radiator
- Synchronization system
- Circuit breaker
- Special soundproof canopies
- Siesmic solutions
- Trailer
- Remote control panel
- Automatic transfer switch